

Autolock

AUTOMATICALLY

ACTIVATED

SHAFT

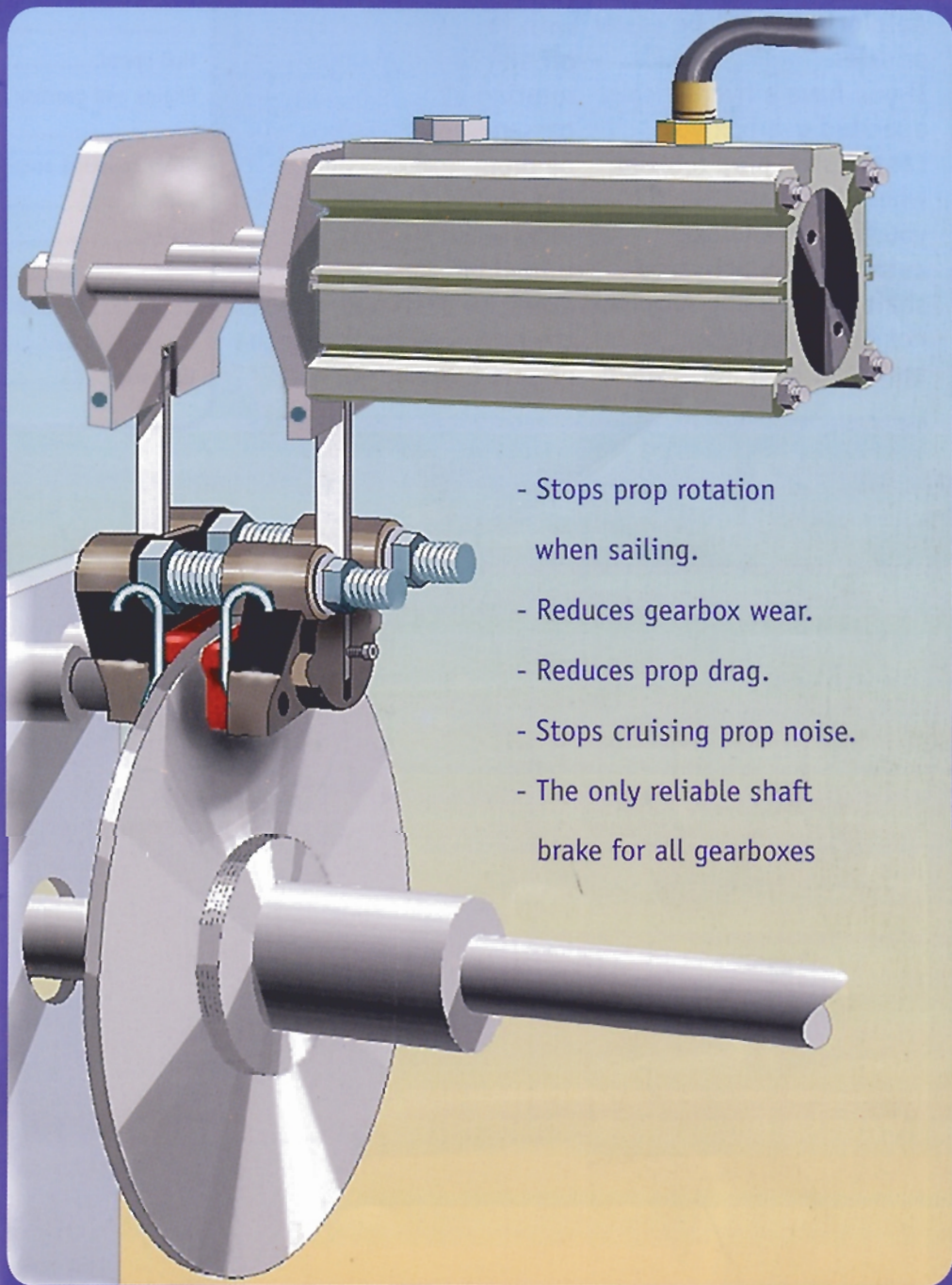
LOCK



**STOP EXCESSIVE
SHAFT & GEARBOX
WEAR WITH
AUTOLOCK**

Operates with all
makes of hydraulic
gearboxes

Another unbeatable
product from
Brunton's Propellers Ltd.



- Stops prop rotation when sailing.
- Reduces gearbox wear.
- Reduces prop drag.
- Stops cruising prop noise.
- The only reliable shaft brake for all gearboxes

AUTOLOCK

Autolock

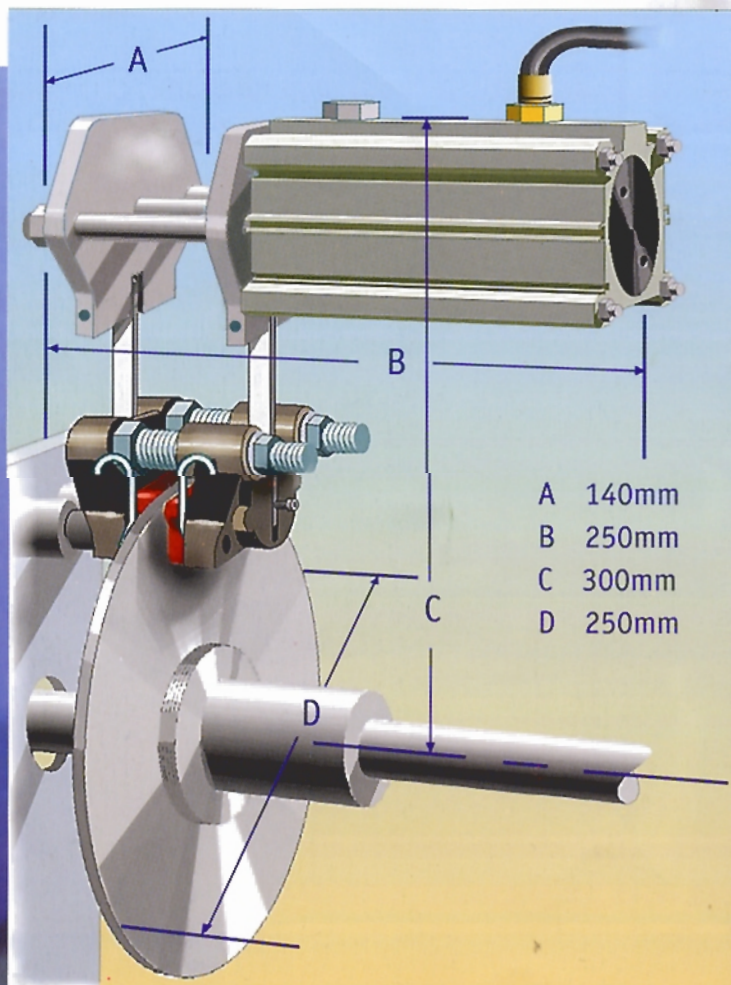
HOW TO SPECIFY YOUR REQUIREMENTS

Easy to turn on
Quick to turn off

Autolock uses gearbox pressure to activate the shaft brake while a simple turn of the engine key is sufficient to unlock it. Autolock couldn't be easier or safer.

If you have a hydraulically operated gearbox you cannot stop prop rotation when sailing unless you fit the Autolock automatically activated shaft lock. Fitting Autolock not only eliminates annoying prop noise when

sailing but stops unnecessary gearbox and shaft wear. Most hydraulically operated gearboxes are not sufficiently lubricated with the engine switched off and the propeller rotating under sail. On long passages your gearbox will be prone to excessive wear. But Autolock automatically locks when the engine is turned off eliminating excessive wear and releases the caliper immediately the engine is restarted.



Autolock is supplied with a stainless steel disc with all connecting parts manufactured from non-corrosive materials.

Autolock is the only reliable automated shaft braking system available for yachts fitted with hydraulic gearboxes.

Details we need from you:

Customers name and address.....

.....

.....

Tel:Fax:

email:

Yacht type.....

Name..... Propeller type, pitch and diameter.....

.....

Hull speed.....Shaft diameter.....

Engine and gearbox make and model.....

.....

Shaft coupling arrangement, i.e. aquadrive.....

.....

Notes.....

.....

.....

.....

Quotation.....

Head Office:

BRUNTON'S PROPELLERS LTD.,
PO Box 4074, Clacton on Sea,
Essex CO15 4TQ, England.

Tel: +44(0) 1255 427511

Fax: +44(0) 1255 430651

Email: autoprop@compuserve.com

Website: www.autoprop.com

USA Office

Autoprop USA,
747 Aquidneck Av.,
Middletown RI 02842, USA.

Tel: +1 401 847 7960

Fax: +1 401 849 0631

Email: sales@autoprop.com

Website: www.autoprop.com